

HILMAN ROLLERS

WWW.HILMANROLLERS.COM



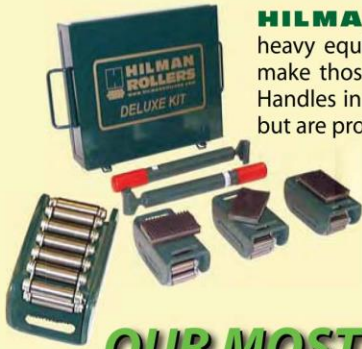
**STANDARD
LOAD
ROLLERS
FOR HEAVY
MOVING**

**DELUXE KITS, COMPLETE SETS
AND INDIVIDUAL ROLLERS**

LIGHT DUTY SERIES

RIGGERS KITS AND SETS CAPACITIES: 3 AND 8 TONS

KIT / SET CAPACITY (TONS)	ROLLER CAPACITY (TONS)	KIT PRODUCT NUMBER	SET PRODUCT NUMBER	KIT / SET INCLUDES (All KITS include steel cases) Steel Case Kit Box KB-D1: 16" (406mm) x 12.375" (314) x 4.44" (113mm)	WEIGHT	
					lbs.	kgs.
3	0.75	KRS-3-4S		(4) 0.75-SP Rollers, (2) 3-KH Handles	55	25
3	0.75		RS-3-4S	(4) 0.75-SP Rollers, (2) 3-KH Handles	52	24
3	0.75	KRS-3-2S/2R		(2) 0.75-SP Rollers, (2) 0.75-RP Rollers, (2) 3-KH Handles	55	25
3	0.75		RS-3-2S/2R	(2) 0.75-SP Rollers, (2) 0.75-RP Rollers, (2) 3-KH Handles	52	24
8	2	KRS-8-4S		(4) 2-SP Rollers, (2) 8-KH Handles	85	39
8	2		RS-8-4S	(4) 2-SP Rollers, (2) 8-KH Handles	76	35
8	2	KRS-8-2S/2R		(2) 2-SP Rollers, (2) 2-RP Rollers, (2) 8-KH Handles	85	39
8	2		RS-8-2S/2R	(2) 2-SP Rollers, (2) 2-RP Rollers, (2) 8-KH Handles	76	35



OUR MOST POPULAR MODELS

HILMAN ROLLERS DELUXE KITS or PREPACKAGED COMPLETE SETS are ideal for all kinds of heavy equipment moving, machinery installation and maintenance. Kits include everything needed to make those heavy moves: (4) professional quality Swivel-Locking Rollers* and two full-length Steering Handles in a sturdy, heavy gauge steel storage case. Complete sets contain the same rollers and handles but are provided without the kit box.
 *Swivel-Locking Rollers not available in sizes smaller than 3.75 tons each

STEEL CHAIN-ACTION ROLLERS MOVE EQUIPMENT OVER ORDINARY FLOORS



EASY AND SAFE TO USE! Just lift the load, set the Rollers, and move. The recirculating chains on the **HILMAN ROLLERS** provide controllable heavy moving, right on ordinary concrete floors. Fully directional swivel tops allow equipment positioning in the tightest quarters. The 3 and 8 ton Kits and Sets feature Swivel Padded Rollers. The 15 ton and higher Kits and Sets are available with your choice of Swivel-Locking Padded Rollers or Rollers with Swivel-Locking Diamond steel grid tops and loose Preload Pads.

FT SERIES








DELUXE KIT CAPACITIES: 15-60 TONS

COMPLETE SET CAPACITIES: 15-200 TONS

KIT / SET CAPACITY (TONS)	ROLLER CAPACITY (TONS)	KIT PRODUCT NUMBER	SET PRODUCT NUMBER	KIT / SET INCLUDES (All KITS include steel cases) Steel Case Kit Box KD-D2: 27.75" (705mm) x 14.75" (375mm) x 9.63" (245mm)	WEIGHT	
					lbs.	kgs.
15	3.75	KRS-15-SLP		(4) 3.75-SLP Rollers, (2) KDH48F Handles	203	92
15	3.75		RS-15-SLP	(4) 3.75-SLP Rollers, (2) H36F 36" Handles	156	71
15	3.75	KRS-15-SLD		(4) 3.75-SLD Rollers, (4) P-1 Preload Pads, (2) KDH48F Handles	203	92
15	3.75		RS-15-SLD	(4) 3.75-SLD Rollers, (4) P-1 Preload Pads, (2) H36F 36" Handles	156	71
30	7.5	KRS-30-SLP		(4) 7.5-SLP Rollers, (2) KDH48F Handles	215	98
30	7.5		RS-30-SLP	(4) 7.5-SLP Rollers, (2) H48F 48" Handles	172	78
30	7.5	KRS-30-SLD		(4) 7.5-SLD Rollers, (4) P-1 Preload Pads, (2) KDH48F Handles	215	98
30	7.5		RS-30-SLD	(4) 7.5-SLD Rollers, (4) P-1 Preload Pads, (2) H48F 48" Handles	172	78
40	10	KRS-40-SLP		(4) 10-SLP Rollers, (2) KDH48F Kit Size Handles	219	99
40	10		RS-40-SLP	(4) 10-SLP Rollers, (2) H48F 48" Handles	176	80
40	10	KRS-40-SLD		(4) 10-SLD Rollers, (4) P-1 Preload Pads, (2) KDH48F Handles	219	99
40	10		RS-40-SLD	(4) 10-SLD Rollers, (4) P-1 Preload Pads, (2) H48F 48" Handles	176	80
60	15	KRS-60-SLP		(4) 15-SLP Rollers, (2) KDH48F Kit Size Handles	255	116
60	15		RS-60-SLP	(4) 15-SLP Rollers, (2) H48F 48" Handles	212	96
60	15	KRS-60-SLD		(4) 15-SLD Rollers, (4) P-1 Preload Pads, (2) KDH48F Handles	259	117
60	15		RS-60-SLD	(4) 15-SLD Rollers, (4) P-1 Preload Pads, (2) H48F 48" Handles	216	98
120	30		RS-120-SLP	(4) 30-SLP Rollers, (2) H60F 60" Handles	542	256
120	30		RS-120-SLD	(4) 30-SLD Rollers, (4) P-2 Preload Pads, (2) H60F 60" Handles	540	245
200	50		RS-200-SLP	(4) 50-SLP Rollers, (2) H60F 60" Handles	834	378
200	50		RS-200-SLD	(4) 50-SLD Rollers, (4) P-2 Preload Pads, (2) H60F 60" Handles	848	385

FT SERIES

INDIVIDUAL ROLLER SPECIFICATIONS

	CAPACITY (TONS)	PRODUCT NUMBER	TOP STYLE	HEIGHT		WIDTH*		LENGTH		WEIGHT		CONTACT ROLLS
				in	mm	in	mm	in	mm	lb	kg	
SLP 	3.75*	3.75-SLP		5	127	5-3/4	146	10-1/2	267	34	15	5
	7.5*	7.5-SLP	SWIVEL	5-1/4	133	5-3/4	146	10-1/2	267	38	17	4
	10*	10-SLP	LOCKING	5-1/4	133	5-3/4	146	10-1/2	267	38	17	4
	15	15-SLP	PADDED	5-1/8	130	6-3/8	162	12-3/4	324	49	22	5
	30*	30-SLP		8	203	8	203	15	381	122	55	5
	50*	50-SLP		8-15/16	227	8	203	21	533	193	88	7
SLD 	3.75*	3.75-SLD	SWIVEL	4-3/4	121	5-3/4	146	10-1/2	267	34	15	5
	7.5*	7.5-SLD	LOCKING	5	127	5-3/4	146	10-1/2	267	37	17	4
	10*	10-SLD	WITH	5	127	5-3/4	146	10-1/2	267	37	17	4
	15	15-SLD	DIAMOND	4-7/8	124	6-3/8	162	12-3/4	324	49	22	5
	30	30-SLD	STEEL	7-3/32	180	8	203	15	381	118	54	5
	50	50-SLD	GRID	8-1/16	205	8	203	21	533	189	86	7
SLS 	3.75*	3.75-SLS	SWIVEL	4-5/8	117	6	152	10-1/2	267	35	16	5
	7.5*	7.5-SLS	LOCKING	4-7/8	124	6	152	10-1/2	267	38	17	4
	10*	10-SLS	WITH	4-7/8	124	6	152	10-1/2	267	38	17	4
	15	15-SLS	SMOOTH	4-3/4	121	6-3/8	162	12-3/4	324	50	23	5
	30	30-SLS	STEEL	6-31/32	177	8	203	15	381	119	54	5
	50	50-SLS		7-15/16	202	8	203	20-7/8	530	191	87	7
SP 	.75	.75-SP	SWIVEL	3-7/16	87	3-5/8	92	6-1/2	165	9	4	5
	2	2-SP	PADDED	3-15/16	100	4-1/8	105	6-1/2	165	15	7	4
RP 	.75	.75-RP		3-1/8	79	3-5/8	92	6-1/2	165	9	4	5
	2	2-RP		3-5/8	92	4-1/8	105	6-1/2	165	15	7	4
	3.75*	3.75-RP		4-3/16	106	5-3/4	146	10-1/2	267	29	13	5
	7.5*	7.5-RP	RIGID	4-7/16	113	5-3/4	146	10-1/2	267	33	15	4
	10*	10-RP	PADDED	4-7/16	113	5-3/4	146	10-1/2	267	33	15	4
	15	15-RP		4-5/16	110	6-3/8	162	12-3/4	324	42	19	5
	30*	30-RP		6-3/4	171	8	203	15	381	107	49	5
50*	50-RP		7-3/4	197	8	203	21	533	179	81	7	
RD 	3.75*	3.75-RD		4-1/16**	103	5-5/8	143	10-1/2	267	29	13	5
	7.5*	7.5-RD	RIGID	4-5/16**	110	5-5/8	143	10-1/2	267	32	15	4
	10*	10-RD	WITH	4-5/16**	110	5-5/8	143	10-1/2	267	32	15	4
	15	15-RD	STEEL	4-3/32**	104	6-3/8	162	12-3/4	324	38	17	5
	30*	30-RD	SPIKES	6-1/8**	156	8	203	15	381	105	48	5
	50*	50-RD		7-1/8**	181	8	203	21	533	176	80	7
RS 	.75	.75-RS		2-3/4	70	3-5/8	92	6-1/2	165	8	4	5
	2	2-RS		3-1/4	83	4-1/8	105	6-1/2	165	15	7	4
	3.75*	3.75-RS	RIGID	3-11/16	94	5-5/8	143	10-1/2	267	29	13	5
	7.5*	7.5-RS	WITH	3-15/16	100	5-5/8	143	10-1/2	267	32	15	4
	10*	10-RS	SMOOTH	3-15/16	100	5-5/8	143	10-1/2	267	32	15	4
	15	15-RS	STEEL	3-13/16	97	6-3/8	162	12-3/4	324	43	20	5
	30*	30-RS		5-3/4	146	8	203	15	381	105	48	5
50*	50-RS		6-3/4	171	8	203	21	533	176	80	7	

* Width dimension of top exceeds roller frame width

** Height to top of spike

STEERING HANDLES with Safety Grips

	MODEL	FITS	FITS	DESCRIPTION	LENGTH		WEIGHT	
					in	mm	lb	kg
	3-KH	FT 3 ton Kits	Nyton 2 ton Kits	One Part Kit Size Handle	15	381	3	1
	8-KH	FT 8 ton Kits	Nyton 4 ton Kits	Two Part Kit Size Handle	30	762	6	3
	KDH48F	FT 15 - 60 ton Kits	Nyton 8 - 24 ton Kits	Two Part Kit Size Handle	48	1219	12	5
	H36F	FT 3.75 - 15 ton Rollers	Nyton 2 - 6 ton Rollers	One Part Handle	36	914	10	5
	H48F	FT 3.75 - 30 ton Rollers	Nyton 2 - 10 ton Rollers	One Part Handle	48	1219	12	5
	H60F	FT 3.75 - 50 ton Rollers	Nyton 2 - 10 ton Rollers	One Part Handle	60	1524	25	11

NYTON SERIES

DELUXE KIT CAPACITIES: 2 - 24 TONS

COMPLETE SET CAPACITIES: 2 - 40 TONS

THE CHAIN ACTION ROLLER WITH FLOOR PROTECTION



HIGH IMPACT NYLON ROLL MATERIAL

- **NYTON CHAIN ROLLERS
PROTECT MODERN FACTORY FLOORS**
- **KITS ARE COMPLETE WITH STEEL STORAGE CASE
SETS ARE WITHOUT CASE**
- **ROLL ON PAINTED OR COATED
CONCRETE OR SPECIAL INDUSTRIAL
AND COMMERCIAL FLOORS**
- **INCLUDED: 4 SWIVEL OR SWIVEL-LOCKING PADDED
NYTON ROLLERS AND 2 STEERING HANDLES**

Need to move heavy equipment on new, painted or special floors? **HILMAN ROLLERS** Nyton Roller Kits and Sets are ideal. The chain rolls are made of a high impact Nylon that is forgiving to special floors. To further protect floors, all Nyton Roller tops are padded. This helps to insure that the entire chain footprint contacts the floor. Everything needed to roll heavy equipment in showrooms, laboratories, schools and modern factories is included in the Deluxe Nyton Kit. Sets are offered without the Kit case.

KIT / SET CAPACITY (TONS)	ROLLER CAPACITY (TONS)	KIT PRODUCT NUMBER	SET PRODUCT NUMBER	KIT / SET INCLUDES (All KITS include steel cases)	WEIGHT	
					lbs.	kgs.
2	0.5	KNRS-2-4S		(4) N.5-SP Rollers, (2) 3-KH Handles	47	21
2	0.5		NRS-2-4S	(4) N.5-SP Rollers, (2) 3-KH Handles	44	20
2	0.5	KNRS-2-2S/2R		(2) N.5-SP Rollers, (2) N.5-RP Rollers, (2) 3-KH Handles	45	20
2	0.5		NRS-2-2S/2R	(2) N.5-SP Rollers, (2) N.5-RP Rollers, (2) 3-KH Handles	42	19
4	1	KNRS-4-4S		(4) N1-SP Rollers, (2) 8-KH Handles	69	31
4	1		NRS-4-4S	(4) N1-SP Rollers, (2) 8-KH Handles	60	27
4	1	KNRS-4-2S/2R		(2) N1-SP Rollers, (2) N1-RP Rollers, (2) 8-KH Handles	69	31
4	1		NRS-4-2S/2R	(2) N1-SP Rollers, (2) N1-RP Rollers, (2) 8-KH Handles	60	27
8	2	KNRS-8-SLP		(4) N2-SLP Rollers, (2) KD48F Kit Size Handles	179	81
8	2		NRS-8-SLP	(4) N2-SLP Rollers, (2) H48F 48" Handles in Set	136	62
12	3	KNRS-12-SLP		(4) N3-SLP Rollers, (2) KD48F Kit Size Handles	179	81
12	3		NRS-12-SLP	(4) N3-SLP Rollers, (2) H48F 48" Handles in Set	136	62
24	6	KNRS-24-SLP		(4) N6-SLP Rollers, (2) KD48F Kit Size Handles	203	92
24	6		NRS-24-SLP	(4) N6-SLP Rollers, (2) H48F 48" Handles in Set	160	73
40	10		NRS-40-SLP	(4) N10-SLP Rollers, (2) H60F 60" Handles	458	208



TRI-GLIDE

**3-Point
Heavy
Moving
Over All
Types of
Floors**



Easily, Safely & Efficiently

TRI-GLIDE

3-Point Heavy Moving System

3-POINT MOVING

The Tri-Glide 3-point moving system provides a safe and efficient method for moving heavy objects.

With the rear units kept aligned by use of a spreader bar, the rear dollies can be adjusted. Placing the dollies where support is needed ensures the rear dollies will be kept parallel in order to track properly when moving. Just as the rear wheels of your car follow the front when you turn, so too will the Tri-Glide's rear dollies follow the front. Thus 3-point moving affords the user a wide range of mobility.

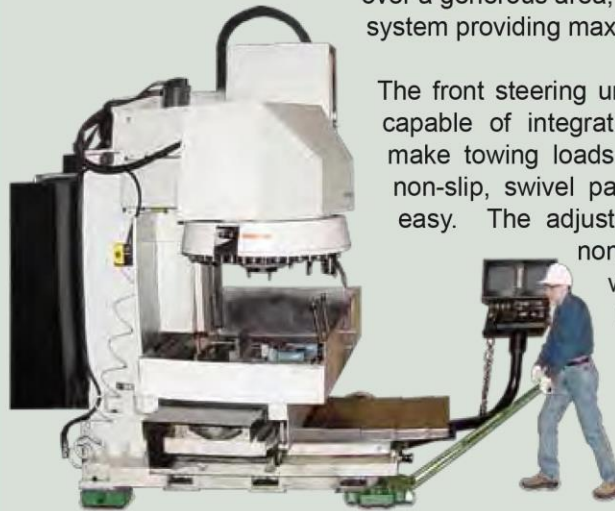


TRI-GLIDE

Available in 6, 12, 18, 24, 40, 60 and 80 ton capacities

The Tri-Glide 3-point moving system is a product designed for moving heavy loads over specially coated floors. It is comprised of a front steering unit and two rear adjustable units. Additional modules can be added to further stabilize large, bulky loads.

The Tri-Glide has been developed in response to a growing demand for floor protection when moving heavy loads over smooth, painted, finished or sealed floors. Hilman's lower capacity moving systems have a low overall height of 4 inches. Because the load center of gravity is kept very low and is also spread over a generous area, the result is a safe moving system providing maximum floor protection.



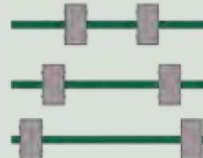
The front steering unit has a versatile handle, capable of integrating with most forklifts to make towing loads a viable option. A large, non-slip, swivel pad makes turning the unit easy. The adjustable rear units contain non-slip pads on their tops as well and are separated by means of a spreader bar.

This allows the rear units to be adjusted from a range on only a few inches apart to as wide as 96" in the higher capacity moving systems.

Assembly is quick and easy, and requires no tools.

We think you will find that the Tri-Glide 3-point moving system will answer your heavy moving needs where floor protection is a concern. It is another safe, efficient and reliable product from the makers of HILMAN ROLLERS.

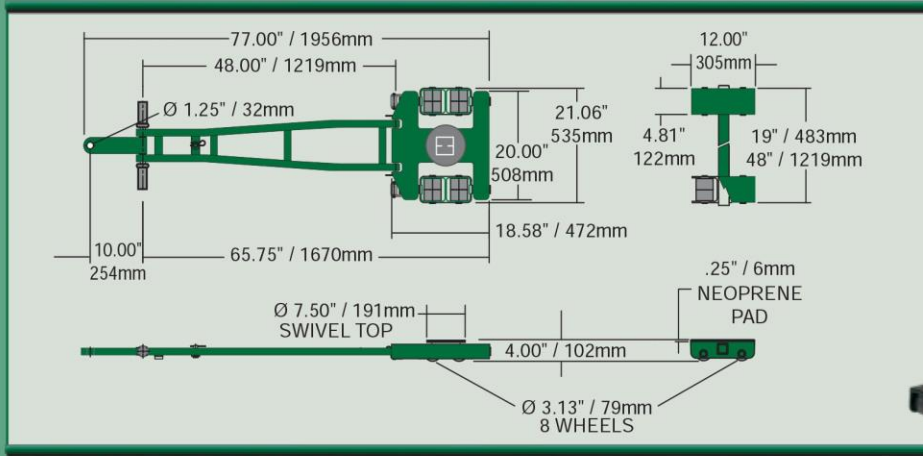
SPREADER BAR



The rear units are kept aligned by a spreader bar. The rear dollies can be adjusted from a range of 10" to as much as 96" apart. Special lengths can be ordered.

6 TON CAPACITIES: KTG-6N KTG-6P KTG-6S

Front Unit TG-F3N (TG-F3P TG-F3S) + Rear Unit TG-R3N (TG-R3P TG-R3S)

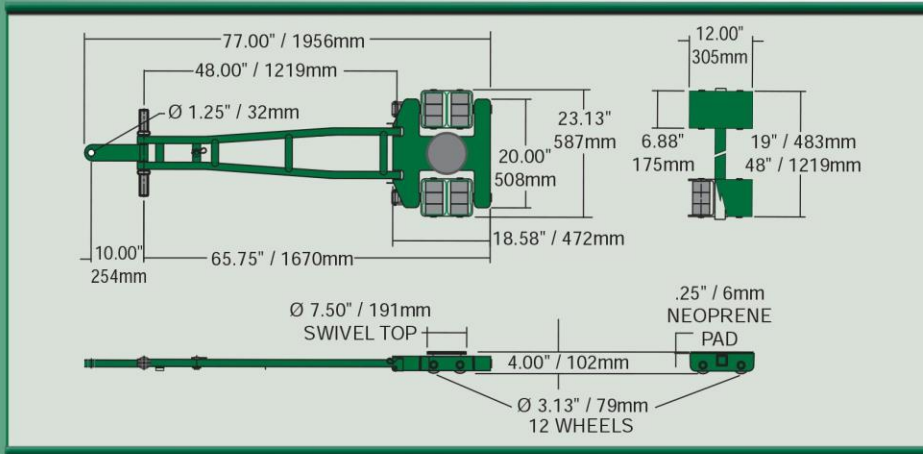


Front Unit Weights: 154 lb / 70 kg Rear Unit Weights: 70 lb / 32 kg



12 TON CAPACITY: KTG-12N KTG-12P KTG-12S

Front Unit TG-F6N (TG-F6P TG-F6S) + Rear Unit TG-R6N (TG-R6P TG-R6S)

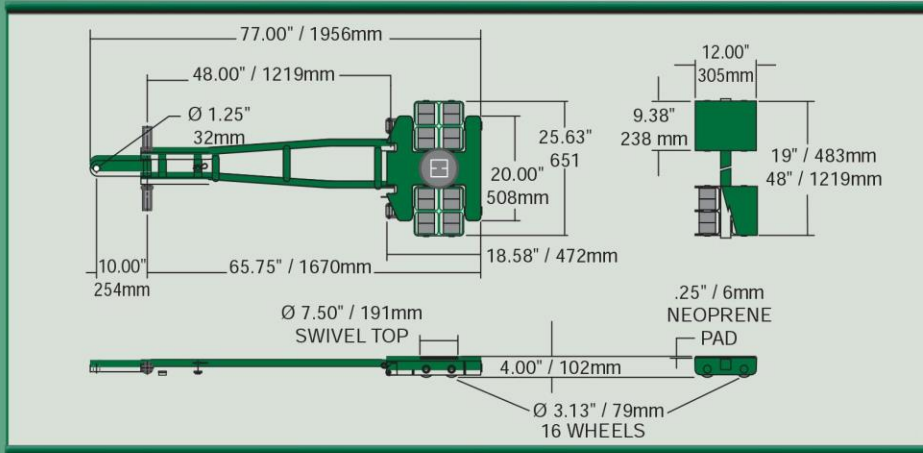


Front Unit Weights: 168 lb / 76 kg Rear Unit Weights: 97 lb / 44kg



18 TON CAPACITY: KTG-18N KTG-18P KTG-18S

Front Unit TG-F9N (TG-F9P TG-F9S) + Rear Unit TG-R9N (TG-R9P TG-R9S)

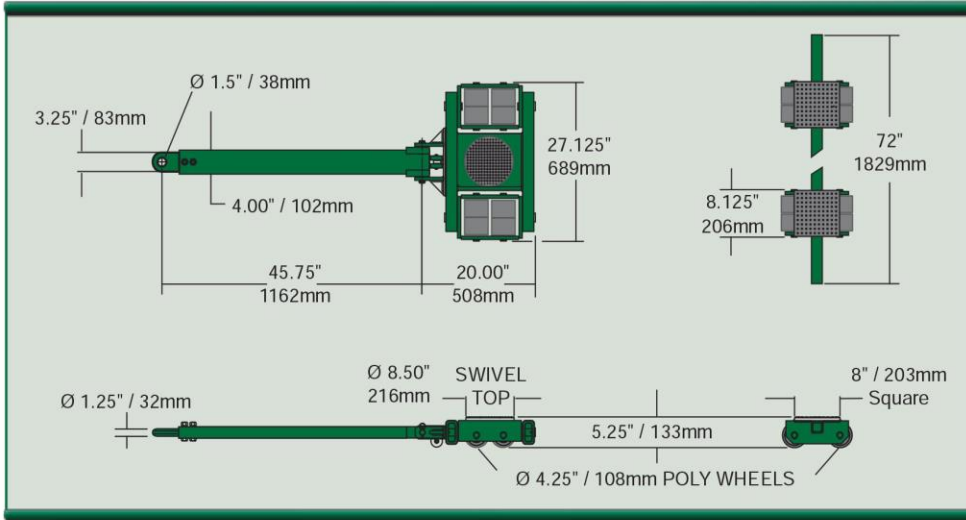


Front Unit Weights: 188 lb / 85 kg Rear Unit Weights: 109 lb / 49 kg



24 TON CAPACITY: KTG-24P

Front Unit TG-F12P + Rear Unit TG-R12P

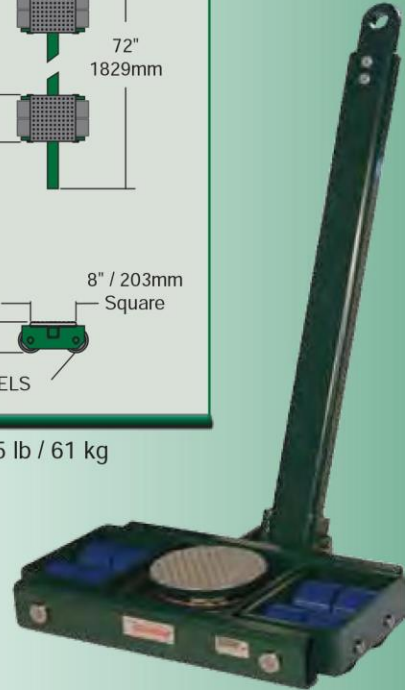


Front Unit Weights: 249 lb / 113 kg

Rear Unit Weights 135 lb / 61 kg



Rear Unit
TG-R12P

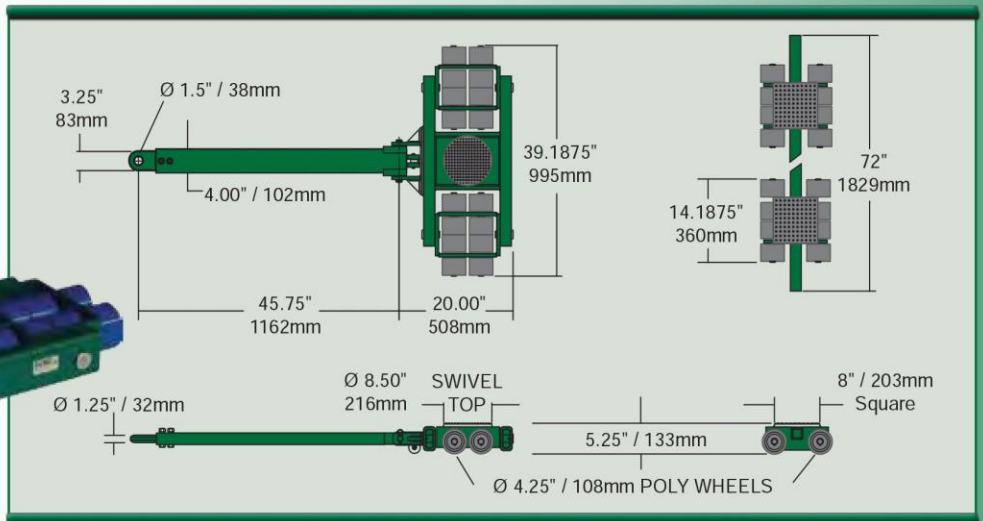


Front Unit
TG-F12P

Rear Unit
TG-R20P

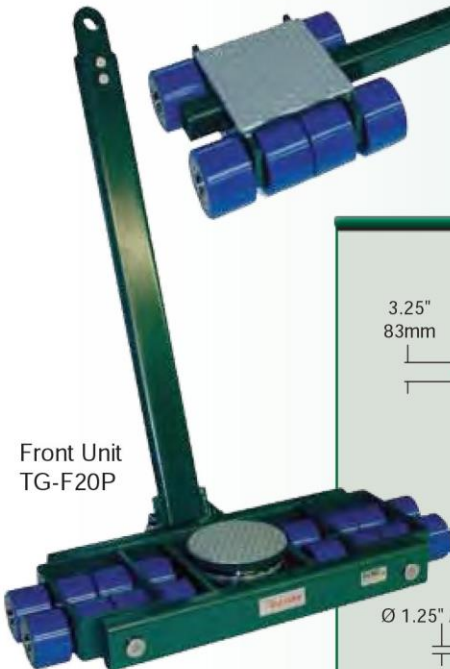
40 TON CAPACITY: KTG-40P

Front Unit TG-F20P + Rear Unit TG-R20P



Front Unit Weights: 286 lb / 130 kg

Rear Unit Weights: 181 lb / 82 kg

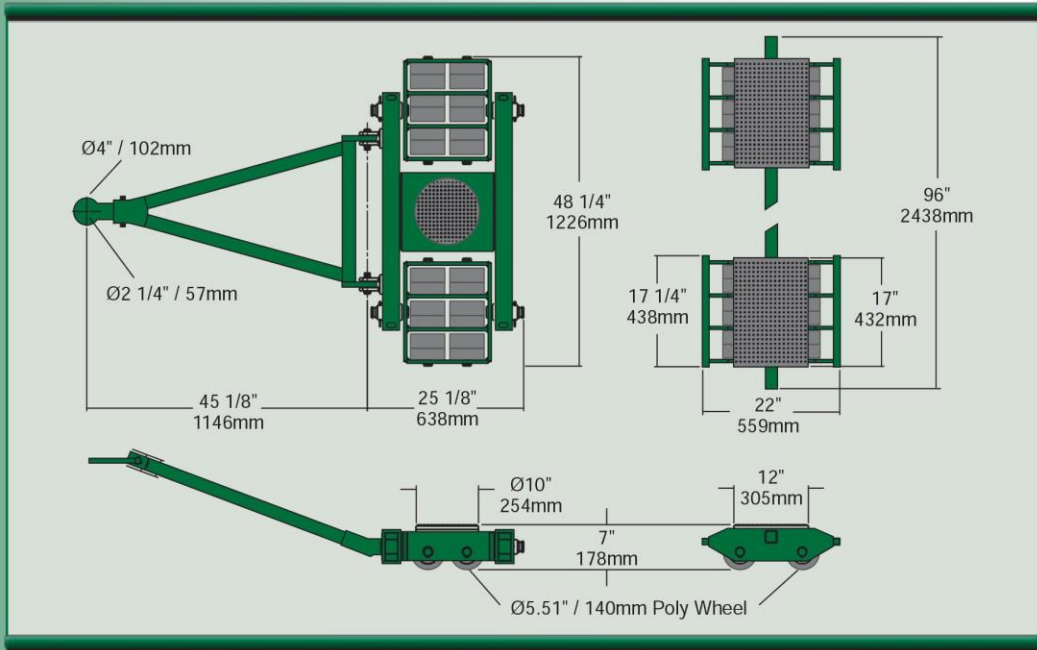


Front Unit
TG-F20P



60 TON CAPACITY: KTG-60PA

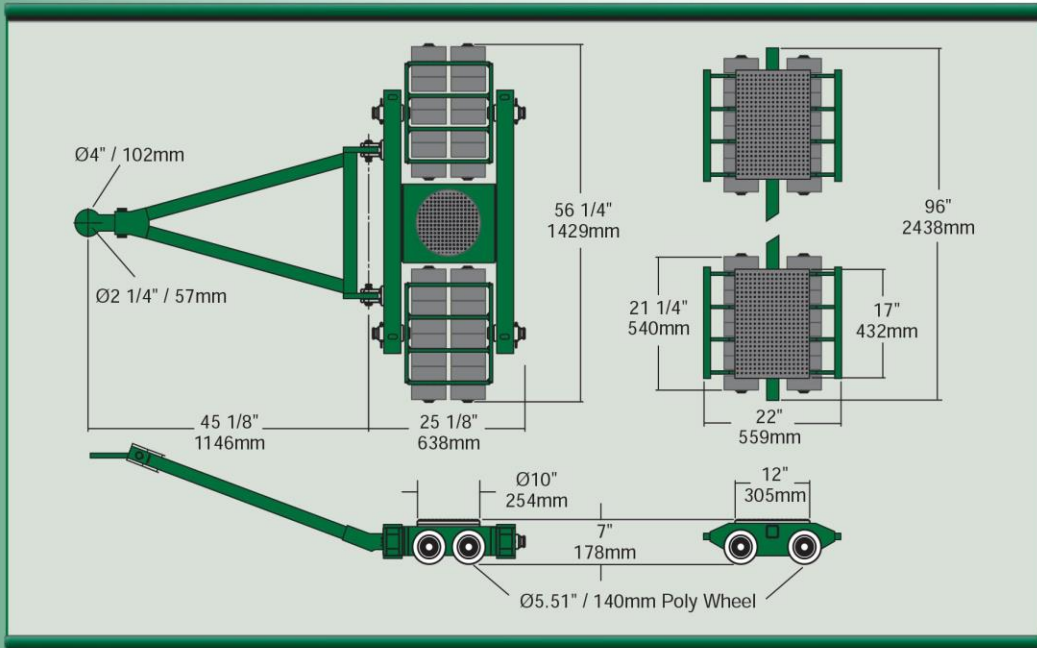
Front Unit TG-F30P + Rear Unit TG-R30P



Front Unit Weights: 603 lb / 274 kg Rear Unit Weights: 378 lb / 172 kg

80 TON CAPACITY: KTG-80PA

Front Unit TG-F40P + Rear Unit TG-R40P



Front Unit Weights: 667 lb / 303 kg Rear Unit Weights: 428 lb / 194 kg



WHEEL OPTIONS



POLYURETHANE



NYLON



STEEL

POLYURETHANE WHEELS

Polyurethane Wheels come on all the standard Tri-Glide Moving systems. Polyurethane wheels provide better floor protection than their Nylon counterparts, though they are not as durable. A softer wheel, they provide excellent floor protection on tile floors.



STANDARD PRODUCTS:

- KTG-6P - 6 Ton
- KTG12P - 12 Ton
- KTG-18P - 18 Ton
- KTG-24P - 24 Ton
- KTG-40P - 40 Ton
- KTG-60P - 60 Ton
- KTG-80P - 80 Ton

NYLON WHEELS

Nylon Wheels are an ideal 'all-purpose' wheel that allows for good floor protection and favorable wear characteristics. These wheels will not 'set' if left under load (static) for a period of time.



STANDARD PRODUCTS:

- KTG-6N - 6 Ton
- KTG12N - 12 Ton
- KTG-18N - 18 Ton

STEEL WHEELS

Provide the best wear characteristics and is great for durable floors.



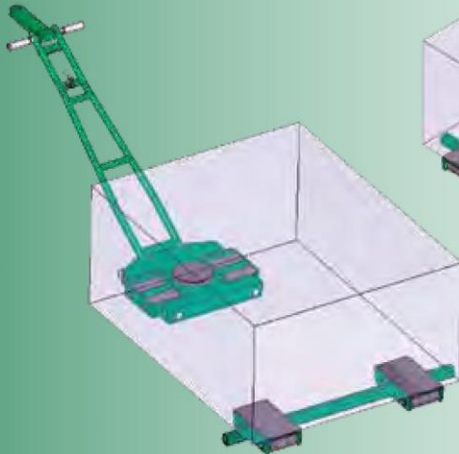
STANDARD PRODUCTS:

- KTG-6S - 6 Ton
- KTG12S - 12 Ton
- KTG-18S - 18 Ton

HILMAN *TRI-GLIDE* ROLLER SYSTEMS

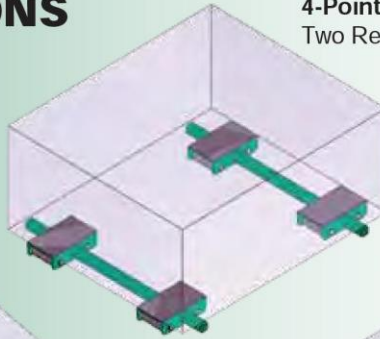
The Hilman Tri-Glide System is versatile in that front and rear units can be combined and configured to become a 4 or more point skidding solution. Hilman Tri-Glide components can be purchased individually to accommodate user preference.

CONFIGURATIONS



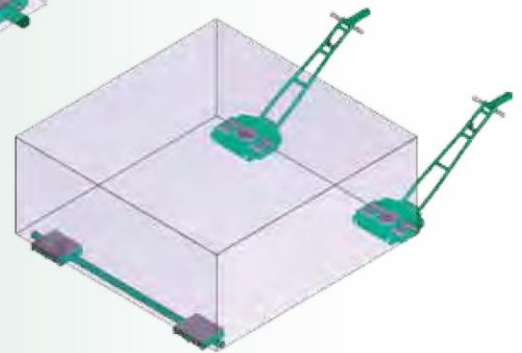
3-Point Moving System

One Front Unit + One Rear Unit with Spreader Bar



4-Point Moving System

Two Rear Units with Spreader Bars



4-Point Moving System

Two Front Units + One Rear Unit with Spreader Bar

A Kit is a Complete System consisting of 1 Front Unit + 2 Rear Units + 1 Spreader Bar

Kit	Individual Front Unit		Pair of Rear Units & Spreader Bar (2) Units + (1) Bar		
Tri-Glide with NYLON Wheels					
KTG-6N	6 ton capacity	TG-F3N	3 ton capacity	TG-R3N	3 ton capacity
KTG-12N	12 ton capacity	TG-F6N	6 ton capacity	TG-R6N	6 ton capacity
KTG-18N	18 ton capacity	TG-F9N	9 ton capacity	TG-R9N	9 ton capacity
Tri-Glide with POLY Wheels					
KTG-6P	6 ton capacity	TG-F3P	3 ton capacity	TG-R3P	3 ton capacity
KTG-12P	12 ton capacity	TG-F6P	6 ton capacity	TG-R6P	6 ton capacity
KTG-18P	18 ton capacity	TG-F9P	9 ton capacity	TG-R9P	9 ton capacity
KTG-24P	24 ton capacity	TG-F12P	12 ton capacity	TG-R12P	12 ton capacity
KTG-40P	40 ton capacity	TG-F20P	20 ton capacity	TG-R20P	20 ton capacity
KTG-60P	60 ton capacity	TG-F30P	30 ton capacity	TG-R30P	30 ton capacity
KTG-80P	80 ton capacity	TG-F40P	40 ton capacity	TG-R40P	40 ton capacity
Tri-Glide with STEEL Wheels					
KTG-6S	6 ton capacity	TG-F3S	3 ton capacity	TG-R3S	3 ton capacity
KTG-12S	12 ton capacity	TG-F6S	6 ton capacity	TG-R6S	6 ton capacity
KTG-18S	18 ton capacity	TG-F9S	9 ton capacity	TG-R9S	9 ton capacity

! WARNING !

IMPROPER USE OF HILMAN LOAD MOVING PRODUCTS CAN RESULT IN INJURY

TO AVOID INJURY:

- DO NOT EXCEED LOAD RATING OF THE PRODUCT
- ONLY OPERATE WITH A BALANCED & STABLE LOAD ON A SMOOTH LEVEL SURFACE
- STAY CLEAR OF LOAD AND KEEP HANDS AND FEET FROM UNDER LOAD
- READ & FOLLOW ALL INSTRUCTIONS PROVIDED IN THE HILMAN LOAD MOVING PRODUCTS MANUAL

Modifications Available

The Hilman Tri-Glide System can be modified in any number of ways to accommodate your specific application requirements. Custom turntables and special hole patterns on the contact points are just a couple of examples where users have made the Hilman Tri-Glide System a perfect fit.



ONE YEAR LIMITED WARRANTY

We warrant each new roller sold by us to be free from manufacturing defects in normal service for a period of one (1) year commencing with delivery of the roller to the original user. Our obligation under this warranty is expressly limited at our option, to the replacement or repair at Hilman, Incorporated, Marlboro, New Jersey 07746 USA, or at a service facility designated by us, of such part or parts as inspection shall disclose to have been defective. This warranty does not apply to defects caused by damage or unreasonable use, including failure to provide reasonable and necessary maintenance, while in the possession of the consumer.

WE SHALL NOT BE LIABLE FOR CONSEQUENTIAL DAMAGES OF ANY KIND, including, but not limited to, consequential labor costs or transportation charges in connection with the replacement or repair of defective parts.

We make no warranty with respect to trade accessories. They are subject to the warranties of their manufacturers.

ANY IMPLIED OR STATUTORY WARRANTIES, INCLUDING ANY WARRANTY OF MERCHANTABILITY OR FITNESS FOR A PARTICULAR PURPOSE, ARE EXPRESSLY LIMITED TO THE DURATION OF THIS WRITTEN WARRANTY.

We make no other express warranty, nor is anyone authorized to make any on our behalf. Any and all claims arising against Hilman Rollers or subsidiaries or affiliated firms concerning the use of the Hilman Rollers shall be governed by the laws of the State of New Jersey in the USA.

12 Timber Lane • Marlboro NJ 07746 • USA
 tel: (732) 462-6277 • fax: (732) 462-6355
 web: HILMANROLLERS.COM • e-mail: sales@hilmanrollers.com
 toll free (North America): 1-888-2-ROLL-IT

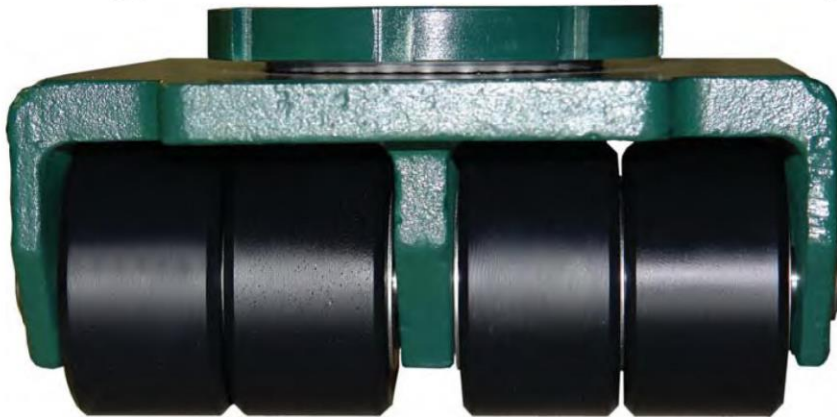


HILMAN BULL DOLLY



**Lightweight
Cost Effective
Solution for
Moving the Heavyweights**

NEW!



Individual Bull Dolly Capacities

1-ton
3-ton
6-ton

Bull Dolly Kits Capacities

4-ton
12-ton
24-ton

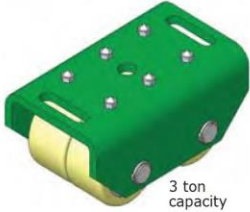


HILMAN BULL DOLLY

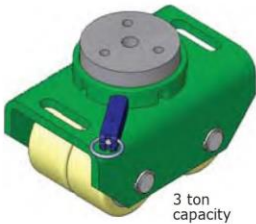
Individual

Dollies

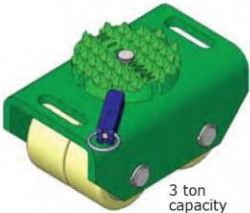
Rigid Diamond



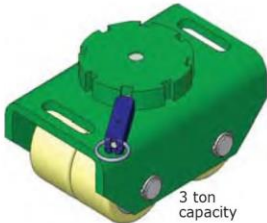
Swivel Padded



Swivel Diamond



Swivel Smooth



Product Number	Roller Capacity	Top Style Description	Roller Material	Height inches mm	Width inches mm	Length inches mm	Weight lbs. kgs.
BRD-1N	1 ton	Rigid Diamond	Nylon	4.00 102	4.43 113	6.5 165	9 4
BRD-1P	1 ton	Rigid Diamond	Polyurethane	4.00 102	4.43 113	6.5 165	9 4
BRD-1S	1 ton	Rigid Diamond	Steel	4.00 102	4.43 113	6.5 165	9 4
BSP-1N	1 ton	Swivel Padded	Nylon	4.99 127	4.43 113	6.5 165	12 5
BSP-1P	1 ton	Swivel Padded	Polyurethane	4.99 127	4.43 113	6.5 165	12 5
BSP-1S	1 ton	Swivel Padded	Steel	4.99 127	4.43 113	6.5 165	12 5
BSD-1N	1 ton	Swivel Diamond	Nylon	4.43 113	4.43 113	6.5 165	11 5
BSD-1P	1 ton	Swivel Diamond	Polyurethane	4.43 113	4.43 113	6.5 165	11 5
BSD-1S	1 ton	Swivel Diamond	Steel	4.43 113	4.43 113	6.5 165	11 5
BRD-3N	3 ton	Rigid Diamond	Nylon	4.36 111	5.23 133	8.0 203	13 6
BRD-3P	3 ton	Rigid Diamond	Polyurethane	4.36 111	5.23 133	8.0 203	13 6
BRD-3S	3 ton	Rigid Diamond	Steel	4.36 111	5.23 133	8.0 203	13 6
BSP-3N	3 ton	Swivel Padded	Nylon	5.35 136	5.23 133	8.0 203	15 7
BSP-3P	3 ton	Swivel Padded	Polyurethane	5.35 136	5.23 133	8.0 203	15 7
BSP-3S	3 ton	Swivel Padded	Steel	5.35 136	5.23 133	8.0 203	15 7
BSD-3N	3 ton	Swivel Diamond	Nylon	4.79 122	5.23 133	8.0 203	16 7
BSD-3P	3 ton	Swivel Diamond	Polyurethane	4.79 122	5.23 133	8.0 203	16 7
BSD-3S	3 ton	Swivel Diamond	Steel	4.79 122	5.23 133	8.0 203	16 7
BSS-3N	3 ton	Swivel Smooth	Nylon	4.79 122	5.23 133	8.0 203	16 7
BSS-3P	3 ton	Swivel Smooth	Polyurethane	4.79 122	5.23 133	8.0 203	16 7
BSS-3S	3 ton	Swivel Smooth	Steel	4.79 122	5.23 133	8.0 203	16 7
BRD-6N	6 ton	Rigid Diamond	Nylon	4.45 113	10.0 254	11.0 279	34 15
BRD-6P	6 ton	Rigid Diamond	Polyurethane	4.45 113	10.0 254	11.0 279	34 15
BRD-6S	6 ton	Rigid Diamond	Steel	4.45 113	10.0 254	11.0 279	34 15
BSP-6N	6 ton	Swivel Padded	Nylon	6.60 142	10.0 254	11.0 279	39 18
BSP-6P	6 ton	Swivel Padded	Polyurethane	6.60 142	10.0 254	11.0 279	39 18
BSP-6S	6 ton	Swivel Padded	Steel	6.60 142	10.0 254	11.0 279	39 18
BSD-6N	6 ton	Swivel Diamond	Nylon	5.10 129	10.0 254	11.0 279	39 18
BSD-6P	6 ton	Swivel Diamond	Polyurethane	5.10 129	10.0 254	11.0 279	39 18
BSD-6S	6 ton	Swivel Diamond	Steel	5.10 129	10.0 254	11.0 279	39 18
BSS-6N	6 ton	Swivel Smooth	Nylon	4.85 123	10.0 254	11.0 279	38 17
BSS-6P	6 ton	Swivel Smooth	Polyurethane	4.85 123	10.0 254	11.0 279	38 17
BSS-6S	6 ton	Swivel Smooth	Steel	4.85 123	10.0 254	11.0 279	38 17

Note: All Swivel Top Styles Include Locks

We designed the Bull Dolly to be a lightweight, cost effective solution for moving heavy equipment. Anything such as large safes, chillers, condensers and machinery can be moved safely and effectively. Special nylon wheels are designed to resist marring your floors and combined with the turntable, to accommodate any turns that you require. A lock enables the units to be used as swivel or rigid top dollies. A "diamond" style top plate ensures a non-slip surface, though a neoprene pad should be utilized in addition.

Individual Bull Dollies are offered with capacities of 1-ton, 3-tons and 6-tons. Prepackaged Bull Dolly Kits are offered with capacities of 4-ton, 12-ton and 24-ton capacity. All prepackaged Kits include (4) Bull Dollies, (2) Steering Handles and (1) Storage Case.

KBRD-4N



KBSS-12S



KBSP-24P



Product Number	Kit Capacity	Dolly Capacity	Top Style Description	Roller Material	Kits Include	Weight	
						lbs.	kg.
KBRD-4N	4 ton	1 ton	Rigid Diamond	Nylon	(4) BRD-1N Dollies (2) Handles (4) Pre-load pads	75	34
KBRD-4P	4 ton	1 ton	Rigid Diamond	Polyurethane	(4) BRD-1P Dollies (2) Handles (4) Pre-load pads	75	34
KBRD-4S	4 ton	1 ton	Rigid Diamond	Steel	(4) BRD-1S Dollies (2) Handles (4) Pre-load pads	75	34
KBSP-4N	4 ton	1 ton	Swivel Padded	Nylon	(4) BSP-1N Dollies (2) Handles	85	39
KBSP-4P	4 ton	1 ton	Swivel Padded	Polyurethane	(4) BSP-1P Dollies (2) Handles	85	39
KBSP-4S	4 ton	1 ton	Swivel Padded	Steel	(4) BSP-1S Dollies (2) Handles	85	39
KBSD-4N	4 ton	1 ton	Swivel Diamond	Nylon	(4) BSD-1N Dollies (2) Handles (4) Pre-load pads	83	38
KBSD-4P	4 ton	1 ton	Swivel Diamond	Polyurethane	(4) BSD-1P Dollies (2) Handles (4) Pre-load pads	83	38
KBSD-4S	4 ton	1 ton	Swivel Diamond	Steel	(4) BSD-1S Dollies (2) Handles (4) Pre-load pads	83	38
KBRD-12N	12 ton	3 ton	Rigid Diamond	Nylon	(4) BRD-3N Dollies (2) Handles (4) Pre-load pads	91	41
KBRD-12P	12 ton	3 ton	Rigid Diamond	Polyurethane	(4) BRD-3P Dollies (2) Handles (4) Pre-load pads	91	41
KBRD-12S	12 ton	3 ton	Rigid Diamond	Steel	(4) BRD-3S Dollies (2) Handles (4) Pre-load pads	91	41
KBSP-12N	12 ton	3 ton	Swivel Padded	Nylon	(4) BSP-3N Dollies (2) Handles	100	45
KBSP-12P	12 ton	3 ton	Swivel Padded	Polyurethane	(4) BSP-3P Dollies (2) Handles	100	45
KBSP-12S	12 ton	3 ton	Swivel Padded	Steel	(4) BSP-3S Dollies (2) Handles	100	45
KBSD-12N	12 ton	3 ton	Swivel Diamond	Nylon	(4) BSD-3N Dollies (2) Handles (4) Pre-load pads	102	46
KBSD-12P	12 ton	3 ton	Swivel Diamond	Polyurethane	(4) BSD-3P Dollies (2) Handles (4) Pre-load pads	102	46
KBSD-12S	12 ton	3 ton	Swivel Diamond	Steel	(4) BSD-3S Dollies (2) Handles (4) Pre-load pads	102	46
KBSS-12N	12 ton	3 ton	Swivel Smooth	Nylon	(4) BSS-3N Dollies (2) Handles	102	46
KBSS-12P	12 ton	3 ton	Swivel Smooth	Polyurethane	(4) BSS-3P Dollies (2) Handles	102	46
KBSS-12S	12 ton	3 ton	Swivel Smooth	Steel	(4) BSS-3S Dollies (2) Handles	102	46
KBRD-24N	24 ton	6 ton	Rigid Diamond	Nylon	(4) BRD-6N Dollies (2) Handles (4) Pre-load pads	196	89
KBRD-24P	24 ton	6 ton	Rigid Diamond	Polyurethane	(4) BRD-6P Dollies (2) Handles (4) Pre-load pads	196	89
KBRD-24S	24 ton	6 ton	Rigid Diamond	Steel	(4) BRD-6S Dollies (2) Handles (4) Pre-load pads	196	89
KBSP-24N	24 ton	6 ton	Swivel Padded	Nylon	(4) BSP-6N Dollies (2) Handles	216	98
KBSP-24P	24 ton	6 ton	Swivel Padded	Polyurethane	(4) BSP-6P Dollies (2) Handles	216	98
KBSP-24S	24 ton	6 ton	Swivel Padded	Steel	(4) BSP-6S Dollies (2) Handles	216	98
KBSD-24N	24 ton	6 ton	Swivel Diamond	Nylon	(4) BSD-6N Dollies (2) Handles (4) Pre-load pads	216	98
KBSD-24P	24 ton	6 ton	Swivel Diamond	Polyurethane	(4) BSD-6P Dollies (2) Handles (4) Pre-load pads	216	98
KBSD-24S	24 ton	6 ton	Swivel Diamond	Steel	(4) BSD-6S Dollies (2) Handles (4) Pre-load pads	216	98
KBSS-24N	24 ton	6 ton	Swivel Smooth	Nylon	(4) BSS-6N Dollies (2) Handles	213	97
KBSS-24P	24 ton	6 ton	Swivel Smooth	Polyurethane	(4) BSS-6P Dollies (2) Handles	213	97
KBSS-24S	24 ton	6 ton	Swivel Smooth	Steel	(4) BSS-6S Dollies (2) Handles	213	97



HILMAN BULL DOLLY Kits



HILMAN BULL DOLLY



**Wheel Option:
Nylon**



**Wheel Option:
Poly**



**Wheel Option:
Steel**

**Top Style:
Rigid
Diamond**



**Top Style:
Swivel
Diamond**



**Top Style:
Swivel
Padded**



**Top Style:
Swivel
Smooth**



HILMAN WARRANTY

We warrant each new Bull Dolly sold by us to be free from manufacturing defects in normal service for a period of one (1) year commencing with delivery of the dolly to the original user. Our obligation under this warranty is expressly limited at our option, to the replacement or repair at Hilman Rollers, Marlboro, New Jersey 07746 USA, or at a service facility designated by us, of such part or parts as inspection shall disclose to have been defective. This warranty does not apply to defects caused by damage or unreasonable use, including failure to provide reasonable and necessary maintenance, while in the possession of the consumer.

WE SHALL NOT BE LIABLE FOR CONSEQUENTIAL DAMAGES OF ANY KIND, including, but not limited to, consequential labor costs or transportation charges in connection with the replacement or repair of defective parts. We make no warranty with respect to trade accessories. They are subject to the warranties of their manufacturers.

THERE ARE NO WARRANTIES EXCEPT AS ABOVE STATED. HILMAN DISCLAIMS AND EXCLUDES ANY IMPLIED WARRANTY OF MERCHANTABILITY OF ITS GOODS OR WARRANTY OF THE FITNESS OF THOSE GOODS FOR ANY PURPOSE OR USE. Subject to the express one-year warranty provided for the repair or replacement of defective goods, the customer acknowledges that it makes its purchase in reliance upon customers' inspection of the goods purchased from Hilman and not by reason of any representations made by or on behalf of Hilman.

We make no other express warranty, nor is anyone authorized to make any on our behalf. Any and all claims arising against Hilman Rollers or subsidiaries or affiliated firms concerning the use of the Hilman Rollers shall be governed by the laws of the State of New Jersey in the USA.



The specifications in this catalog are given as general information only and are not binding. Hilman reserves the right to change specifications or make alterations to products, parts or accessory equipment at any time without prior notice and for any reason whatsoever. All capacities are in metric tons

CONTACT INFORMATION

telephone..... (732) 462-6277

fax..... (732) 462-6355

toll free..... 1-888-2-ROLL-IT (N. America)

int'l fax..... (732) 462-3238

e-mail..... sales@hilmanrollers.com

address..... 12 Timber Lane

website..... www.hilmanrollers.com

Marlboro NJ 07746 • USA

**ISO 9001
CERTIFIED**



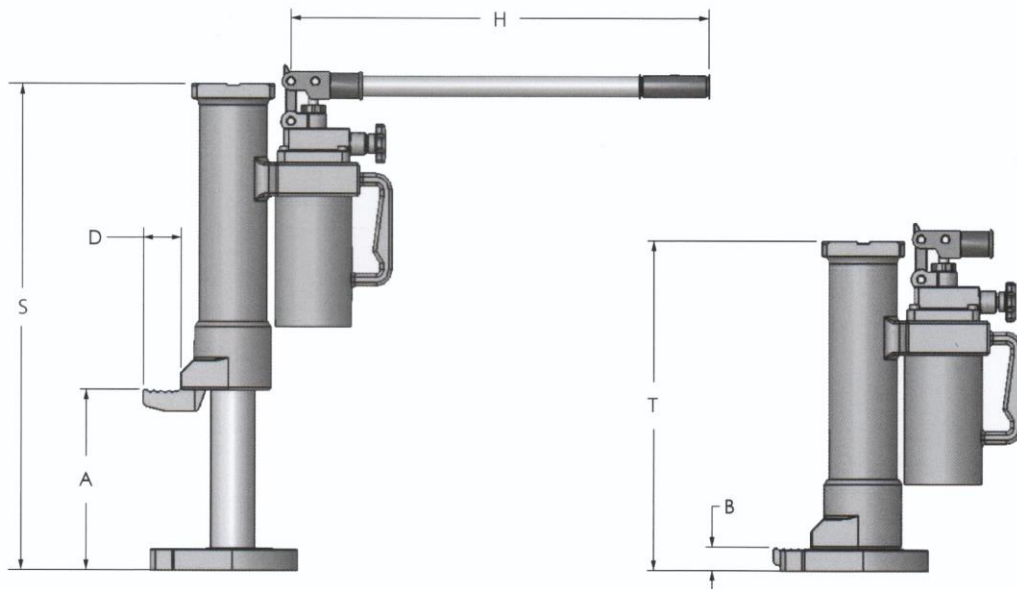
TOE JACKS

Confiable, Portable y Seguro

Los Hilman Toe Jacks (gatos mecánicos) permiten el posicionamiento y levante de equipos con separación mínima a la superficie (25.4 mm o exactamente 26.92 mm). Estos equipos ofrecen la opción para el levante de cargas en la cuña o en la parte superior de la unidad. Esta es la característica primordial que hace estos gatos mecánicos el complemento perfecto para los Hilman Rollers.

Estos productos están en conformidad con las normas ASME B30.1. Los equipos ofrecen válvulas de presión para prevenir sobrecargas. Los modelos de 5 y 10 toneladas métricas funcionan/operan de manera horizontal y vertical. El ensamblaje de la base, cuña y bomba hidráulica giran de forma independiente; por lo tanto el equipo puede ser almacenado en espacios confinados.

Por supuesto los Hilman Toe Jacks la reputación y calidad famosa de los productos Hilman Rollers.



Modelo	Capacidad	Máxima Altura de Elevación		Altura Mínima de Levante		Amplitud de Cuña (D)		Longitud del Mango (H)		Fuerza en Palanca con carga máxima		Peso	
		en la base (A)	en la parte superior (S)	en la base (B)	en la parte superior (T)								
		inches (mm)	inches (mm)	inches (mm)	inches (mm)	inches (mm)	inches (mm)	inches (mm)	inches (mm)	lb. (N)	lb. (kg)		
HTJ5	5 TON	8 (206)	22.5 (574)	1 (25)	14.5 (368)	2.0 (55)	17.75 (451)	85.5 (380)	44 (20)				
HTJ10	10 TON	9 (233)	25.5 (646)	1 (25)	16.25 (413)	2.0 (55)	17.75 (451)	90.0 (400)	61 (28)				
HTJ25	25 TON	9 (233)	28 (703)	2 (58)	18.5 (470)	3.5 (90)	32.00 (825)	90.0 (400)	203 (92)				



**HILMAN
ROLLERS**
WWW.HILMANROLLERS.COM

12 Timber Lane, Marlboro, New Jersey 07746 USA

tel: 732.462.6277 fax: 732.462.6355 e-mail: sales@hilmanrollers.com

TRI-GLIDE



TRI-GLIDE

3-POINT MOVING SYSTEM

Placing the dollies in a 3-point configuration can stabilize the rollers and prevent them from slipping out, even under pulling and tugging forces.



Using Center of Gravity, the front unit is placed under then load.



Placing the dollies where support is needed ensures the rear dollies will be kept parallel in order to track properly when moving.

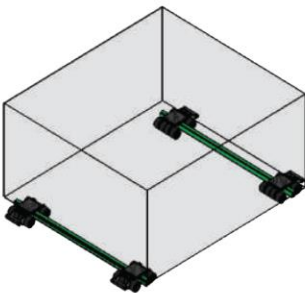


As the load is steered with the front unit, the rear dollies will follow, providing the user with a wide range of mobility.

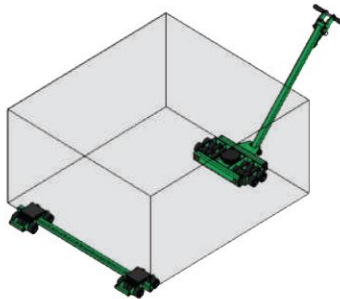
CONFIGURATIONS

The Hilman Tri-Glide System is versatile in that the front and rear units can be combined and configured to further stabilize bulky loads.

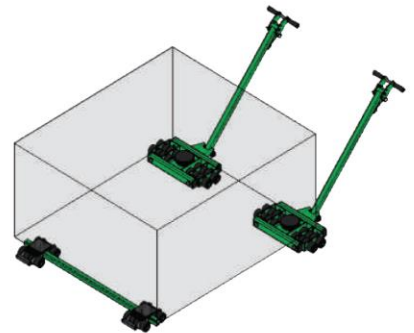
4-Point Moving Solution
Two Rear Units with Spreader Bars



3-Point Moving Solution
One Front Unit
One Rear Unit with Spreader Bar



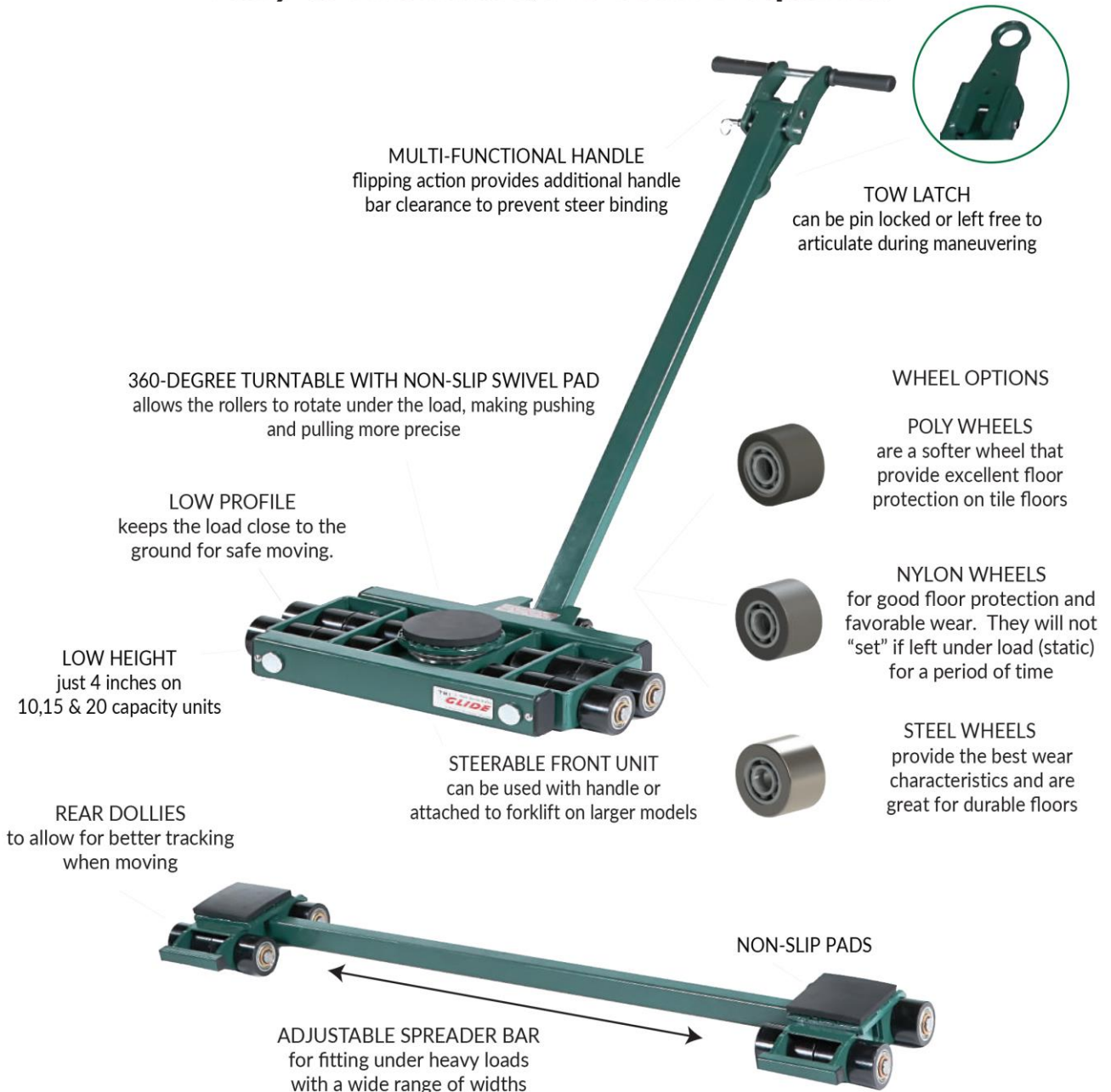
4-Point Moving Solution
Two Front Units
One Rear Unit with Spreader Bar



ADVANTAGES

The Hilman Tri-Glide provides a stable, efficient solution for moving heavy loads. It is designed with a large footprint to spread the weight of the load over a greater area. Our Polyurethane and Nylon rollers are non-marking and can be used on a variety of floor surfaces.

Easy Maneuverability, Maintenance Friendly, Easy to Assemble, No Tools Required!

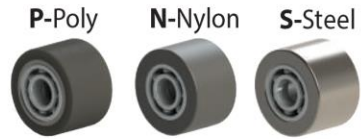


10, 15 & 20 TON

Hilman Tri-Glide components can be purchased individually to accommodate user preference. All units come with non-slip pads for the front unit and rear dollies.

**LOW HEIGHT
FLOOR PROTECTION
EASY 3 POINT SYSTEM**

Wheel Options



Kits

All kits include: (1) Front Unit with Handle and (2) Rear Dollies with a Spreader Bar

Hilman Part #	Capacity	Wheel Type	Wheel Count	Height (w/pad)	Height (w/o pad)	Weights (lbs.)	Handle Length	Alignment Bar
KTG-10N	10 Ton	Nylon	8/8	4.5" (114mm)	4" (102mm)	155	49.5" (1257mm)	60" (1524mm)
KTG-10P	10 Ton	Poly	8/8	4.5" (114mm)	4" (102mm)	161	49.5" (1257mm)	60" (1524mm)
KTG-10S	10 Ton	Steel	8/8	4.5" (114mm)	4" (102mm)	193	49.5" (1257mm)	60" (1524mm)
KTG-15N	15 Ton	Nylon	12/12	4.5" (114mm)	4" (102mm)	168	49.5" (1257mm)	60" (1524mm)
KTG-15P	15 Ton	Poly	12/12	4.5" (114mm)	4" (102mm)	181	49.5" (1257mm)	60" (1524mm)
KTG-15S	15 Ton	Steel	12/12	4.5" (114mm)	4" (102mm)	236	49.5" (1257mm)	60" (1524mm)
KTG-20N	20 Ton	Nylon	16/16	4.5" (114mm)	4" (102mm)	184	49.5" (1257mm)	60" (1524mm)
KTG-20P	20 Ton	Poly	16/16	4.5" (114mm)	4" (102mm)	198	49.5" (1257mm)	60" (1524mm)
KTG-20S	20 Ton	Steel	16/16	4.5" (114mm)	4" (102mm)	260	49.5" (1257mm)	60" (1524mm)

Individual

Hilman Part #	Capacity	Type	Width (in.)	Height (w/o pad)	Height (w/pad)	Wheel Size	Roller Type	Weight (lbs)
TG-F5N	5 Ton	Front	17.875"	4" (102mm)	4.5" (114mm)	Ø3.13" (79mm)	Nylon	96
TG-R5N	5 Ton	Rear	6.25"	4" (102mm)	4.5" (114mm)	Ø3.13" (79mm)	Nylon	59
TG-F5P	5 Ton	Front	17.875"	4" (102mm)	4.5" (114mm)	Ø3.13" (79mm)	Poly	99
TG-R5P	5 Ton	Rear	6.25"	4" (102mm)	4.5" (114mm)	Ø3.13" (79mm)	Poly	62
TG-F5S	5 Ton	Front	17.875"	4" (102mm)	4.5" (114mm)	Ø3.13" (79mm)	Steel	115
TG-R5S	5 Ton	Rear	6.25"	4" (102mm)	4.5" (114mm)	Ø3.13" (79mm)	Steel	78
TG-F7.5N	7.5 Ton	Front	22.6875"	4" (102mm)	4.5" (114mm)	Ø3.13" (79mm)	Nylon	106
TG-R7.5N	7.5 Ton	Rear	7.6875"	4" (102mm)	4.5" (114mm)	Ø3.13" (79mm)	Nylon	62
TG-F7.5P	7.5 Ton	Front	22.6875"	4" (102mm)	4.5" (114mm)	Ø3.13" (79mm)	Poly	113
TG-R7.5P	7.5 Ton	Rear	7.6875"	4" (102mm)	4.5" (114mm)	Ø3.13" (79mm)	Poly	68
TG-F7.5S	7.5 Ton	Front	22.6875"	4" (102mm)	4.5" (114mm)	Ø3.13" (79mm)	Steel	145
TG-R7.5S	7.5 Ton	Rear	7.6875"	4" (102mm)	4.5" (114mm)	Ø3.13" (79mm)	Steel	91
TG-F10N	10 Ton	Front	26.6875"	4" (102mm)	4.5" (114mm)	Ø3.13" (79mm)	Nylon	113
TG-R10N	10 Ton	Rear	9.6875"	4" (102mm)	4.5" (114mm)	Ø3.13" (79mm)	Nylon	71
TG-F10P	10 Ton	Front	26.6875"	4" (102mm)	4.5" (114mm)	Ø3.13" (79mm)	Poly	120
TG-R10P	10 Ton	Rear	9.6875"	4" (102mm)	4.5" (114mm)	Ø3.13" (79mm)	Poly	78

24-80 TONS



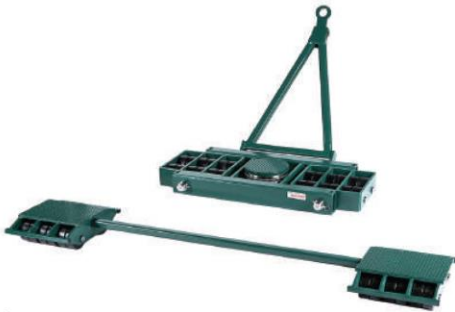
Kits

All kits include: (1) Front Unit with Handle and (2) Rear Dollies with a Spreader Bar

Hilman Part #	Capacity	Wheel Type	Wheel Count	Height (w/pad)	Height (w/o pad)	Weight (lbs)	Handle Length	Alignment Bar
KTG-24P	24 Ton	Poly	8/8	5.5" (140mm)	5.25" (133mm)	384	43.75" (1162mm)	72" (1829mm)
KTG-40P	40 Ton	Poly	16/16	5.5" (140mm)	5.25" (133mm)	467	43.75" (1162mm)	72" (1829mm)

Individual

Hilman Part #	Capacity	Type	Width (in.)	Height (w/pad):	Height (w/o pad):	Wheel Size	Roller Type	Weight (lbs)
TG-F12P	12 Ton	Front	26.875	5.5" (140mm)	5.25" (133mm)	Ø4.25" (108mm)	Poly	249
TG-R12P	12 Ton	Rear	8.25	5.5" (140mm)	5.25" (133mm)	Ø4.25" (108mm)	Poly	135
TG-F20P	20 Ton	Front	39.1875	5.5" (140mm)	5.25" (133mm)	Ø4.25" (108mm)	Poly	286
TG-R-20P	20 Ton	Rear	14.1875	5.5" (140mm)	5.25" (133mm)	Ø4.25" (108mm)	Poly	181



Kits

All kits include: (1) Front Unit with Handle and (2) Rear Dollies with a Spreader Bar

Hilman Part #	Capacity	Wheel Type	Wheel Count	Height (w/pad):	Height (w/o pad):	Weight (lbs)	Handle Length	Alignment Bar
KTG-60P	60 Ton	Poly	24/24	7.75" (197mm)	7.00" (178mm)	981	45.125" (1146mm)	96" (2438mm)
KTG-80P	80 Ton	Poly	32/32	7.75" (197mm)	7.00" (178mm)	1095	45.125" (1146mm)	96" (2438mm)

Individual

Hilman Part #	Capacity	Type	Width (in.)	Height (w/pad):	Height (w/o pad):	Wheel Size	Roller Type	Weight (lbs)
TG-F30P	30 Ton	Front	48.0625	7.75" (197mm)	7.00" (178mm)	Ø5.51" (140mm)	Poly	603
TG-R30P	30 Ton	Rear	17.25	7.75" (197mm)	7.00" (178mm)	Ø5.51" (140mm)	Poly	378
TG-F40P	40 Ton	Front	56.0625	7.75" (197mm)	7.00" (178mm)	Ø5.51" (140mm)	Poly	667
TG-R40P	40 Ton	Rear	21.0625	7.75" (197mm)	7.00" (178mm)	Ø5.51" (140mm)	Poly	428

MODIFICATIONS

The Hilman Tri-Glide can be modified in a number of ways to accommodate your specific application requirements. Custom turntables and special hole patterns, on the contact points, are just a couple of examples where users have made the Hilman Tri-Glide System a perfect fit. Hilman also manufactures completely custom Tri-Glide Solutions to meet specific performance requirements.

DIAMOND SWIVEL LOCKING TOPS



LOCATOR PINS FOR REAR DOLLIES



SPECIAL CONFIGURATIONS



CUSTOM ATTACHMENTS



CARTS



HYDRAULIC CYLINDERS

